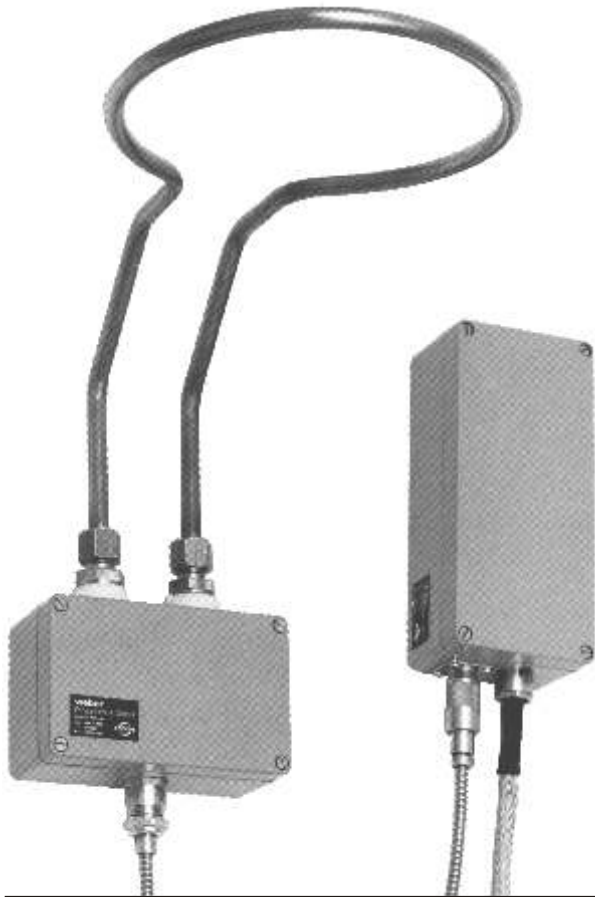


weber proxi-captor



- Self-adjusting or field adjustable inductive proximity switch for ambient temperatures up to 200 °C.
- Custom made with replaceable coil.
- Remote Electronics.

proxi-captor

Type 28-- , 2800, 2400.-- / 2500.--
28-- , 2250.-- / 2350.--

These proxi-captors are rugged inductive proximity switches designed for application in extreme environments such as the metal fabrication and steel industries.

The proxi-captor is available either as a compact unit (coil 28- and electronics 2250.--/2350.--) or as a remote system, consisting of coil 28-- , coil adapter 2800 and electronics 2400.-72500.--. Distance between coil adapter and electronics 10 m (35 ft.) max.

Available versions of the electronics are adjustable types 2400.-- , 2250.-- and self adjusting types 2500.-- and 2350.--.

The self-adjusting property nullifies the effect of nearby metal (such as the mounting surface) to prevent false tripping.

The proxi-captor includes a fully encapsulated aluminium housing with detachable copper coil, which can be constructed according to specific application requirements.

proxi-captor

Type 28-- , 2800.-- , 2400.-- / 2500.--

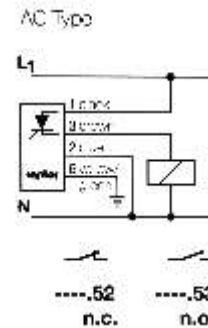
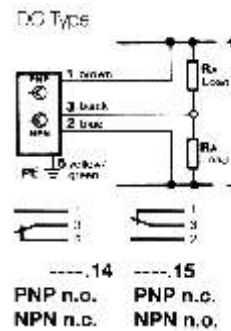
28-- , 2250.-- / 2350.--

inductive proximity switches

Technical Data

Construction	aluminum, fully encapsulated		
Coil material	10 mm solid copper wire with ERmeto connections		
Supply connection cable	2 m silicone armoured cable		
Coaxial connection cable	up to 10 m Teflon coaxial with protective metal tubing		
Vibration and shock	in accordance with DIN 574 11		
Ambient temperature	-20 °C to +70 °C (-6 F to +158 F) remote coil: max. 200 °C (392 °F)		
Protection standard	IP 65 / DIN 400 50		
Type	----.52	----.53	----.14 ----.15
Power supply	110 / 230 VAC		24V DC
Output	Thyristor		Transistor
Switching current	200 mA		500 mA
Power consumption	approx. 1 VA		approx. 1 W
Electronics type	2250.-- , 2400.--		2350.-- , 2500.--
Setting of switching distance	adjustment by potentiometer		self-adjusting
Switching distance	according to form and size of coil up to 250 mm (10 inches)		
Correction factors	Steel = 1 ; CrNi - 0.85; Brass = 0.54; Al = 0.5; Cu = 0.46		
Repeatability	approx. 1 % of switching distance		

Connection Diagram

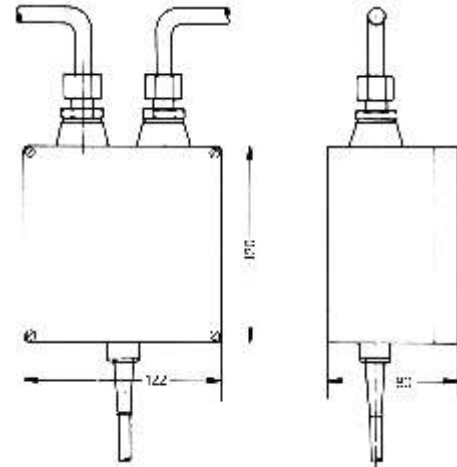
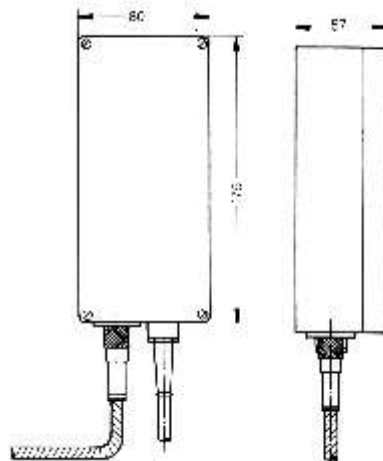
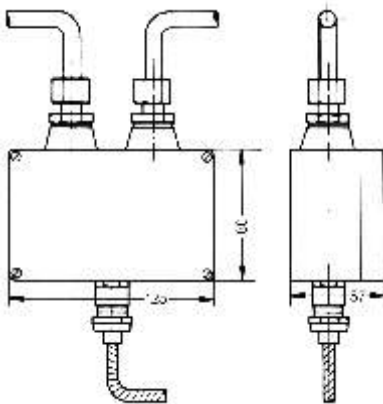


Type 2400.-- / 2500.--
 Remote electronics
 (see spec. data-sheet)

Type 2250.-- / 2350.--
 Compact unit

Dimensions (in mm)

Type 2800 - 28 - -
 Coil adapter + coil



weber

Sensors Inc

Member of the captor Group

2230 Towne Lake Pkwy., Bldg. 900, Suite 200 • Woodstock, GA 30189

Phone: +1(770)592-6630 • Fax: -6640 • E-mail: info@captor.com • www.captor.com